

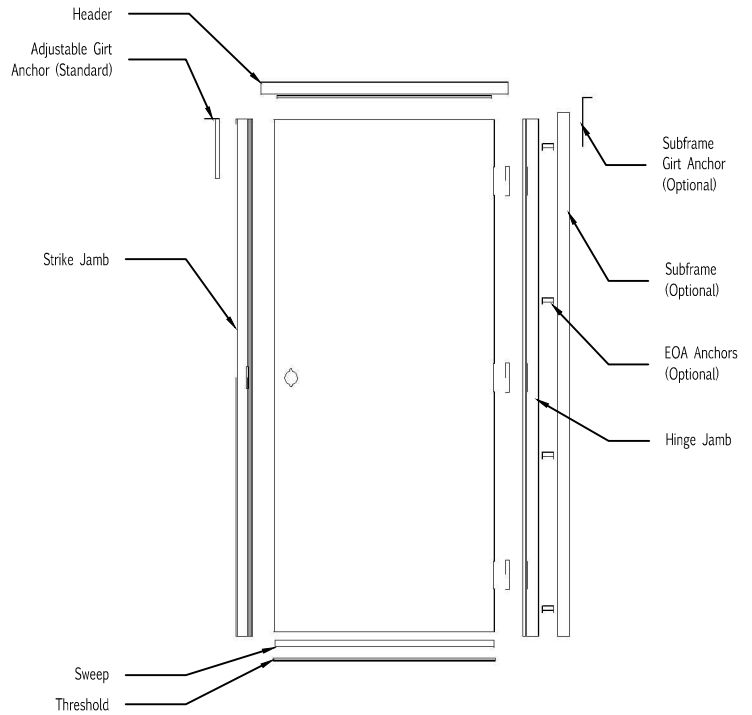
Global Knock-Down Door Installation Instructions

Knock-Down Door Includes:

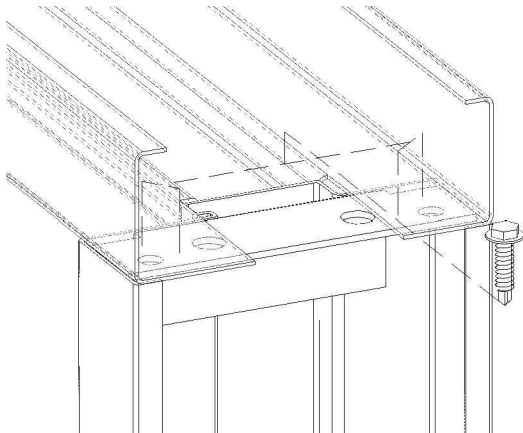
- (1) - 18 Gauge Galvanized Insulated Door Leaf
- (1) - 5-3/4" 16 Gauge Galvanized Door Frame Set (3 pieces)
- (1) - Grade 1 Cylindrical Lever Lock, 26D Finish (If Applicable)
- (3) - 4-1/2" x 4-1/2" Ball Bearing Hinges with Non-Removable Pin, 26D Finish
- (1) - 5-3/4" ADA Compliant Aluminum Threshold (If Applicable)
- (1) - Surface Mount Sweep
- (1) - Kerf Weatherseal Set (3 pieces)
- (2) - 14 Gauge, Galvanized, Adjustable Top Girt Anchors
- All Fasteners and Anchors are Included for Complete Installation
- (A) Optional 16 Gauge Galvanized Subframe (Framed Opening)
- (B) Optional Existing Opening Anchors for Wood or Steel Stud and Masonry Applications

Fasteners Included:

- (8) #14 x 1" Hex Head SDS
- (16) #10 x 3/4" Hex Head SDS
- (6) #10 x 1" Pan Head SDS
- (4) 3/8" x 3" Sleeve Anchor
- (3) 1/4" x 2" Sleeve Anchor

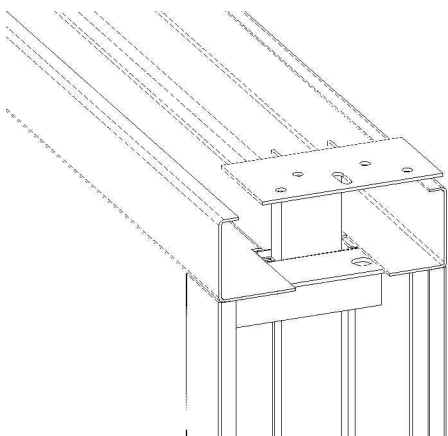


1. Align and assemble frame header, hinge jamb, and strike jamb as shown below in Detail 1, using (8) #14 x 1" Hex Head SDS (4 per side). Make sure the door stops are aligned all the way around the door frame.



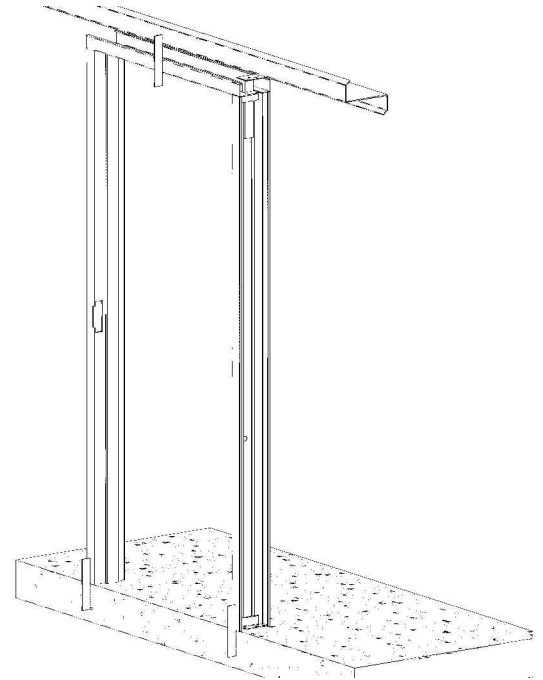
Detail 1

2. Insert, but do not secure, the girt anchors into the top of the hinge jamb and strike jamb as shown in Detail 2. (If your door was supplied with subframes or existing opening anchors (EOA), please refer to the optional hardware instructions located on pages 3 & 4.)



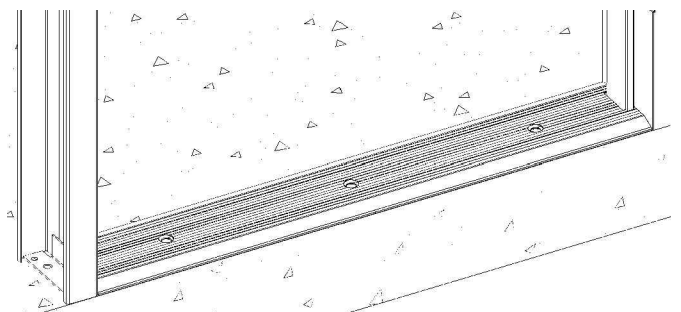
Detail 2

3. Position the frame assembly under the girt. The outside faces of the frame (hinge and strike jamb) should be flush with the outside edge of the girt and the edge of the concrete floor as shown in Detail 3.



Detail 3

4. Use the threshold (if applicable) as a "spacer" for the jambs as shown in Detail 4.

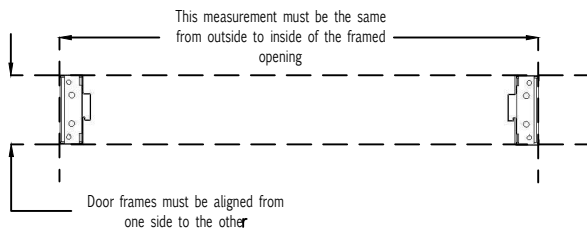


Detail 4

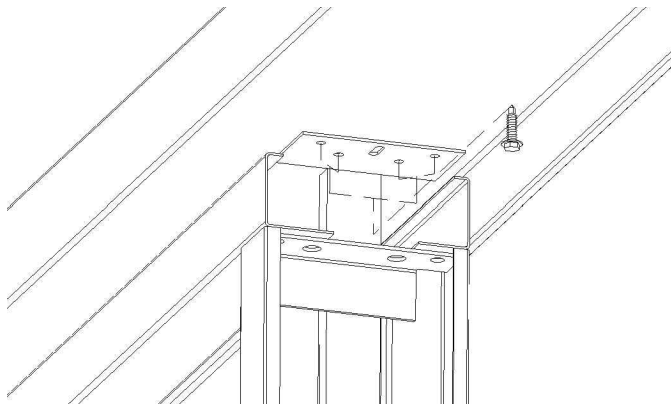
Global Knock-Down Door Installation Instructions

5. Level the header, shimming under jambs if necessary. PLUMB AND SQUARE the frame unit using a carpenter's square in each top corner and a level on the face of each jamb. Make sure the outside edges of the jambs are lined up correctly.

6. To ensure proper operation, the door framed opening MUST be square, plumb and aligned from one side to the other.

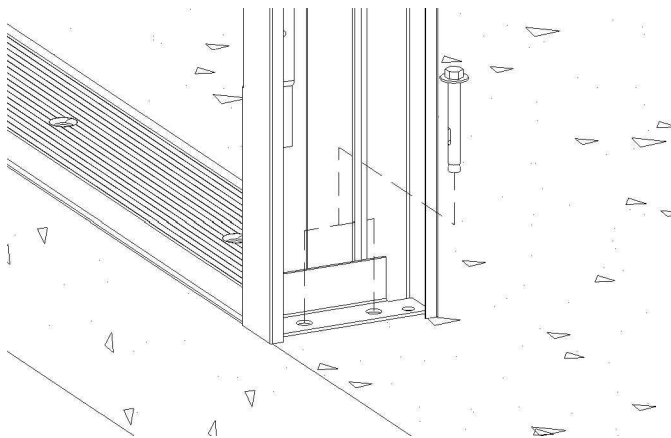


7. Secure the hinge and strike jamb girt anchors to the girt using (6) #10 x 3/4" Hex Head SDS (3 per side). Do Not secure the girt anchors to the jambs at this time. This will hold the frame in place while anchoring the jambs to the floor.



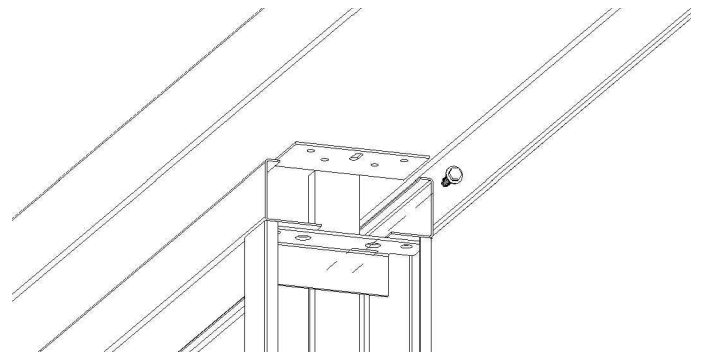
Detail 5

8. Once the frame is in the correct position, anchor the base of each frame to the floor using (4) 3/8" x 3" sleeve anchor bolts (2 per side) as shown in Detail 5.



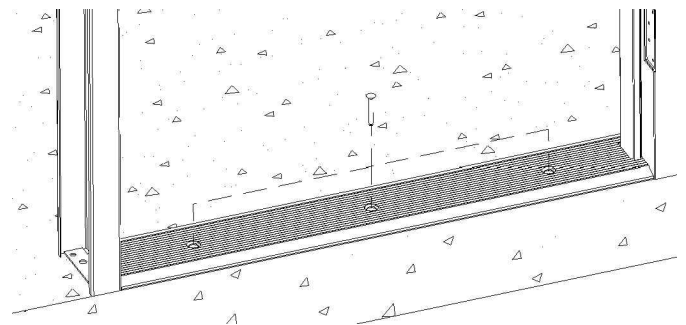
Detail 6

9. Check plumb and square once more, then secure the girt anchors to the top of the jambs as shown in Detail 7 using (4) #10 x 3/4" Hex Head SDS (2 per side).



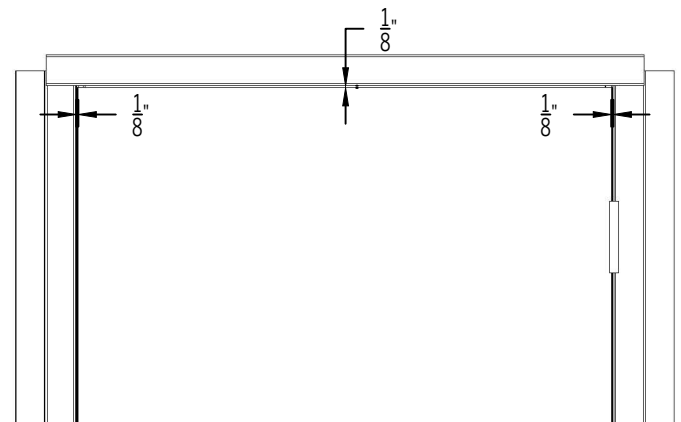
Detail 7

10. Secure threshold (if applicable) to the floor as shown in Detail 8, using (3) 1/4" x 2-1/4" threshold anchor bolts. Drill a hole at least 2-1/4" deep from the top of the threshold. Caulk or grout underneath the threshold to prevent water infiltration (caulk not provided).



Detail 8

11. Install the door leaf to the frame unit with hinges provided. Do not over-tighten the hinge screws. The top channel of the door is flush and the bottom channel is inverted. Use the hinge handing plates as needed once the handing of the door has been determined. To ensure proper operation, there should be an 1/8" gap around the perimeter of the door and frame.



12. Install the weather seal into the kerf of the head, strike jamb, and hinge jamb.

13. Install the door sweep on the outside plane of the door leaf bottom using (6) #10 x 1" Pan Head SDS. Position the sweep so the bottom of the vinyl insert is even or below the threshold.

14. Install the latching device (lockset or exit device) using the installation instructions provided in the individual unit box.

15. Close the door to ensure proper latching of the lockset or exit device. Check the reveal between the door and frame. There should be an 1/8" gap between the door and frame on the exterior side of the door system.

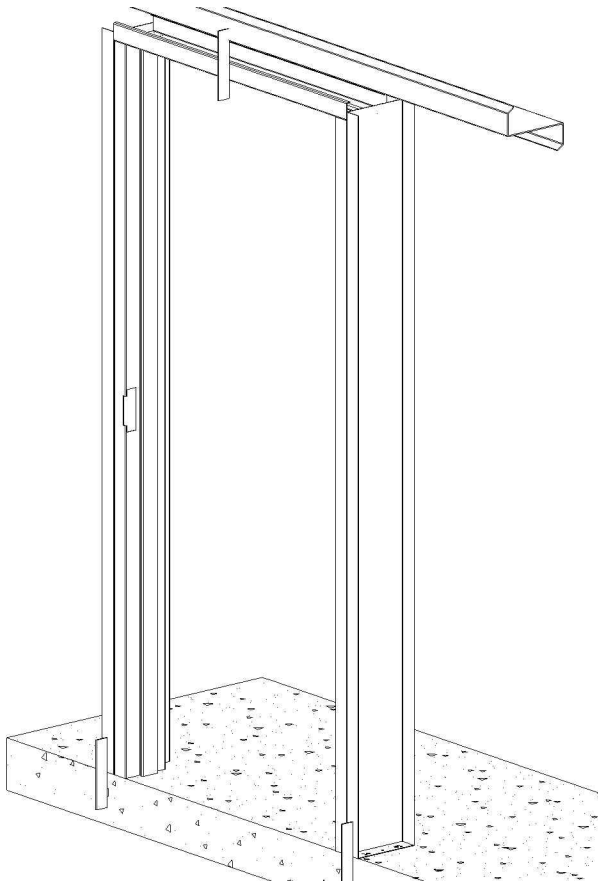
Option A - Subframe Installation

1. After the frame has been assembled. Use the holes in the girt anchor to mark locations approximately 20" apart on the subframe as shown in Detail 1-A.



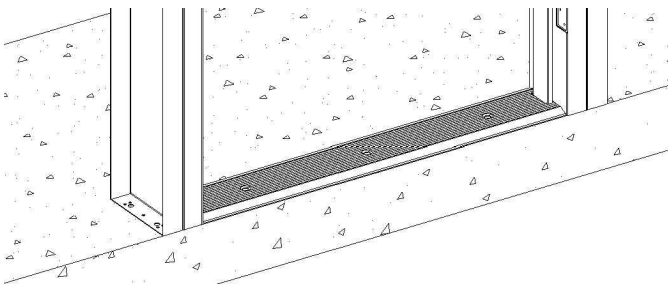
Detail 1-A

2. Attach the subframe to the jambs using locations marked in Step 1. Use (20) #10 x 3/4" Hex Head SDS (10 per side). Make sure the outside face and bottom of the subframe are flush with the outside face and bottom of the jamb.
3. Position the frame/subframe assembly under the girt. The outside faces of the frame (hinge jamb and strike jamb) and subframe should be flush with the outside edge of the girt and the edge of the concrete floor as shown in Detail 2-A.



Detail 2-A

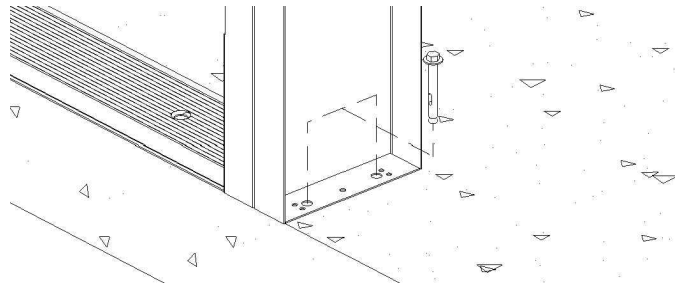
4. Use the threshold (if applicable) as a "spacer" for the jambs as shown in Detail 3-A.



Detail 3-A

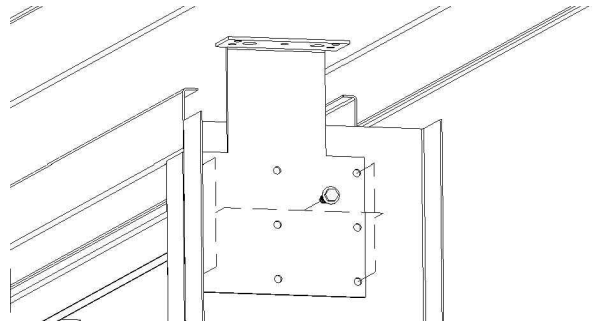
5. Level the header, shimming under jambs if necessary. PLUMB AND SQUARE the frame unit using a carpenter's square in the top corners and a level on the face of each jamb. Make sure the outside edges of the jambs are lined up.

6. Once the frame is in the correct position, anchor the base of each subframe to the floor using (4) 3/8" x 3" sleeve anchor bolts (2 per side) as shown in Detail 4-A.



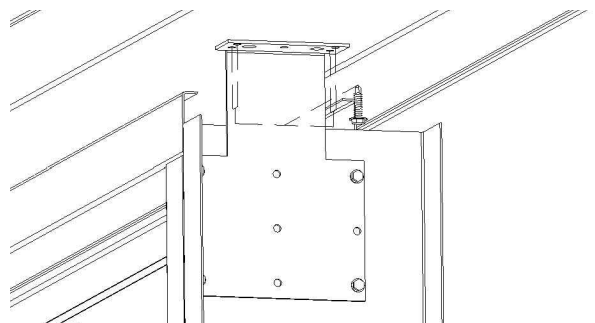
Detail 4-A

7. Slide the girt anchor up to meet the above girt and fasten to the subframe using (8) #10 x 3/4" Hex Head SDS (4 per side).



Detail 5-A

8. Check plumb and square once more, then secure the girt anchors to the girt as shown in Detail 6-A using (8) #10 x 3/4" Hex Head SDS (4 per side).

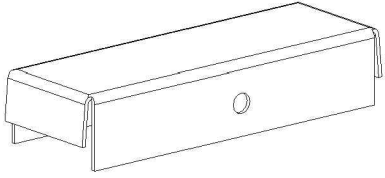


Detail 6-A

9. Once frame is secured, continue with Step 10 on page 2 of the Global knock-down door installation instructions.

Option B - EOA Installation

.1 Slide anchors into throat of jambs, lining up the holes in anchors with the $\frac{3}{4}$ " pre-drilled holes in the door stops (4 per side).

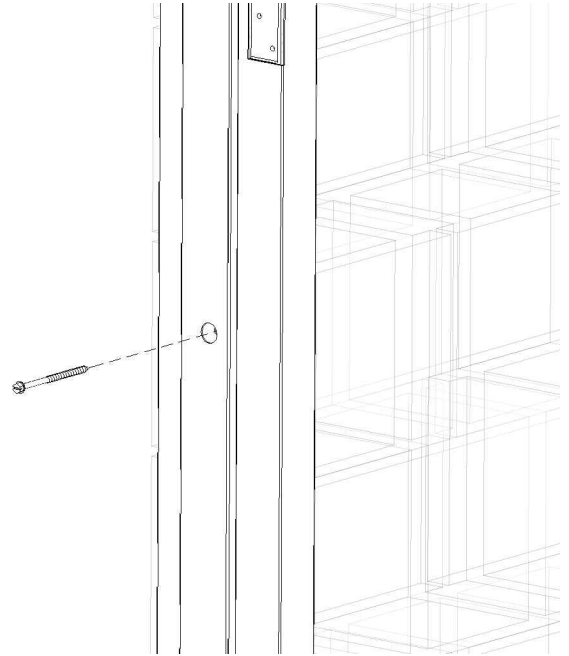


.2 Position assembled frame into wall opening as desired. Use the threshold as a spacer for the base of the frame. PLUMB and SQUARE the frame, shim as necessary.

3. Drill $\frac{3}{16}$ " holes into the wall through EOA anchors and install Tapcon concrete anchors as in Detail 2-B.

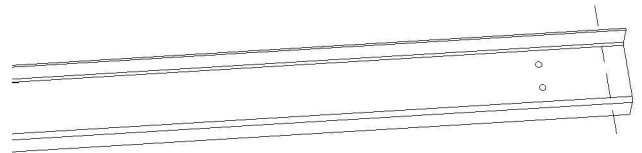
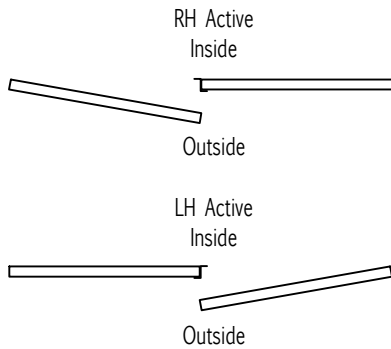
4. After frame is installed, use provided nylon plugs to cover holes in the door stop. Caulk around entire door frame.

5. Continue with Step 10 of the Global Knock-down Door installation instructions.



Detail 2-B

Double Door Astragal Installation



Detail 3

1. Determine handing of door using above chart. Astragal should be mounted to inactive leaf. Center line of ASA strike prep should be 41-7/8" from top of door.

2. Once handing has been determined, cut $\frac{5}{8}$ " off the bottom of the astragal so it will be flush with the bottom of the door. (Does not apply to astragals without ASA strike prep)

3. Attach astragal to inactive leaf using (12) #8 x 1" Flat Head SDS. Install adhesive weatherseal.

4. Install surface bolts on inactive door using installation instructions provided in box.

Overlapping Strike Installation

1. Secure overlapping strike to inactive door leaf using (3) #10 x 1" Pan Head SDS as shown in

2. Check that the exit device is latching properly, use overlapping strike shim if necessary.

