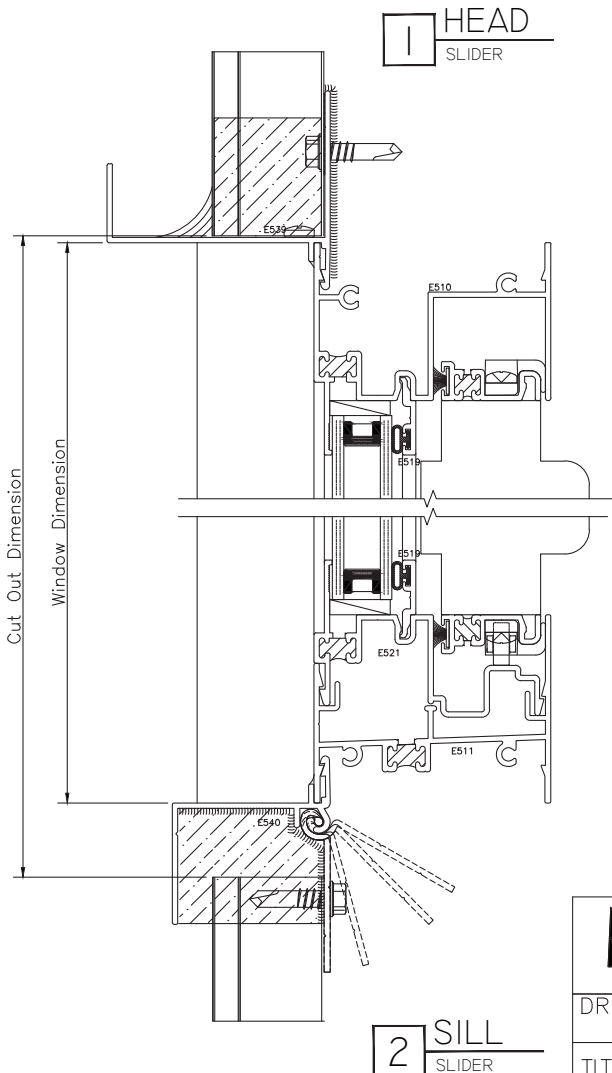
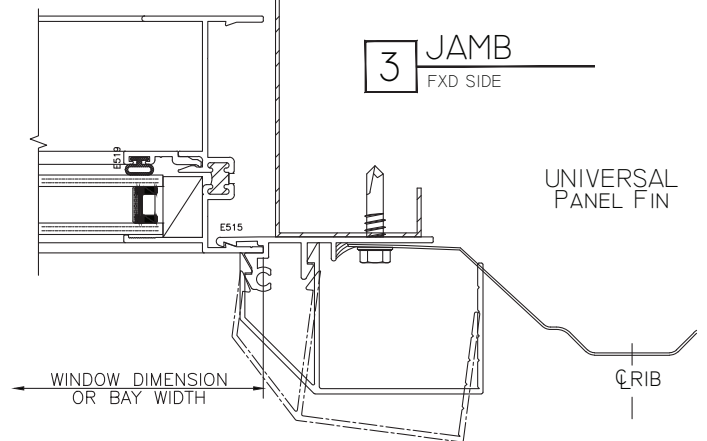
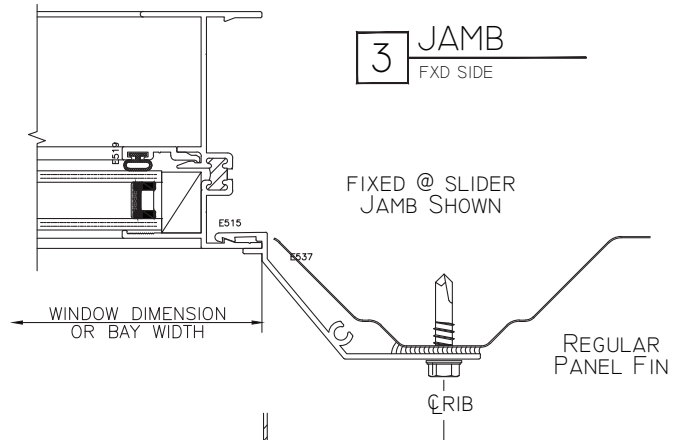
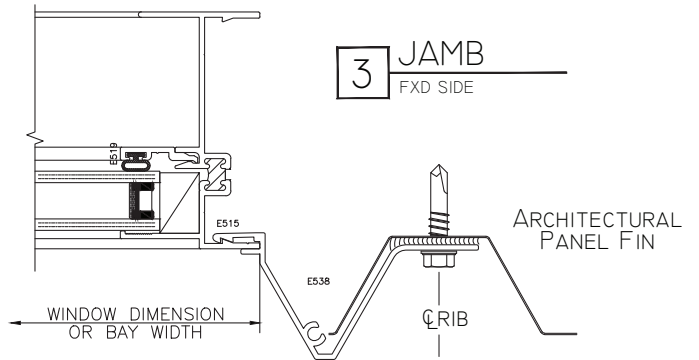
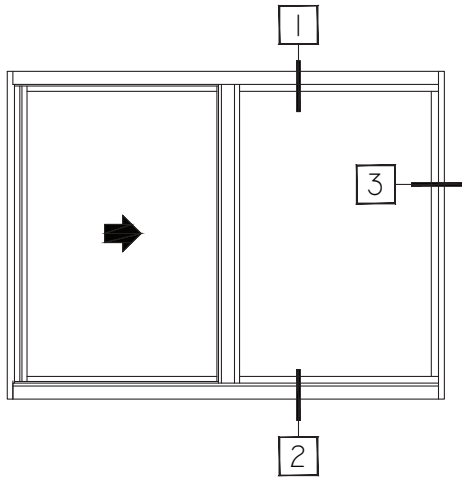


## 2500 SLIDER PERFORMANCE DATA: AAMA/WDMA/CSA 101/IS.2/A440-08

<b>Rating</b>	<b>LC-PG40 Type HS</b>
<b>Air Infiltration</b>	<b>&lt;0.06 cfm/ft @ 1.62 psf</b>
<b>Water Resistance</b>	<b>0 Leakage at 6.00 lb/sf</b>
<b>Structural Performance</b>	<b>60.0 psf</b>
<b>Thermally Broken</b>	<b>Yes</b>
<b>Frame Depth</b>	<b>2-1/2"</b>
<b>Infill Options</b>	<b>Maximum 5/8"</b>
<b>Misc 1</b>	



©2013 WINDOW TECHNOLOGY INC. ALL RIGHTS RESERVED

**WINTeCH**

Window Technology, Inc.  
201 Industrial Drive  
Monett, MO 65708

DRAWN:  
Messer

SCALE: NTS

TITLE  
2500 Slider Details

NO.  
2500-01