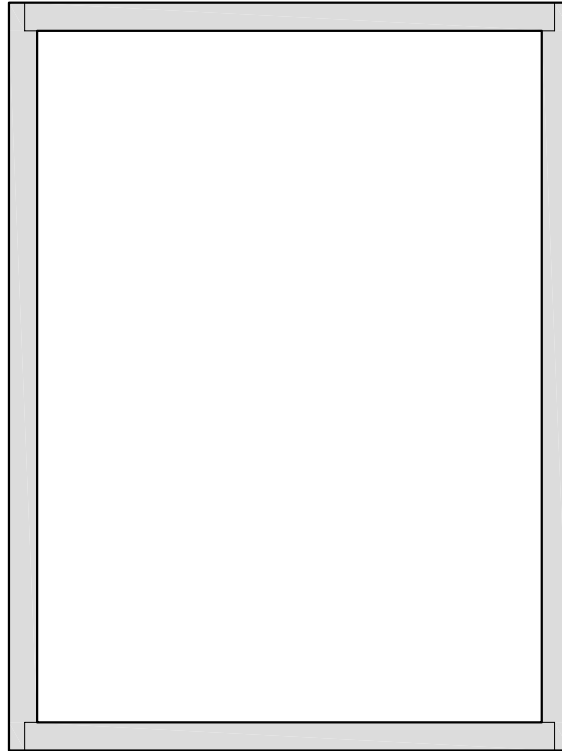




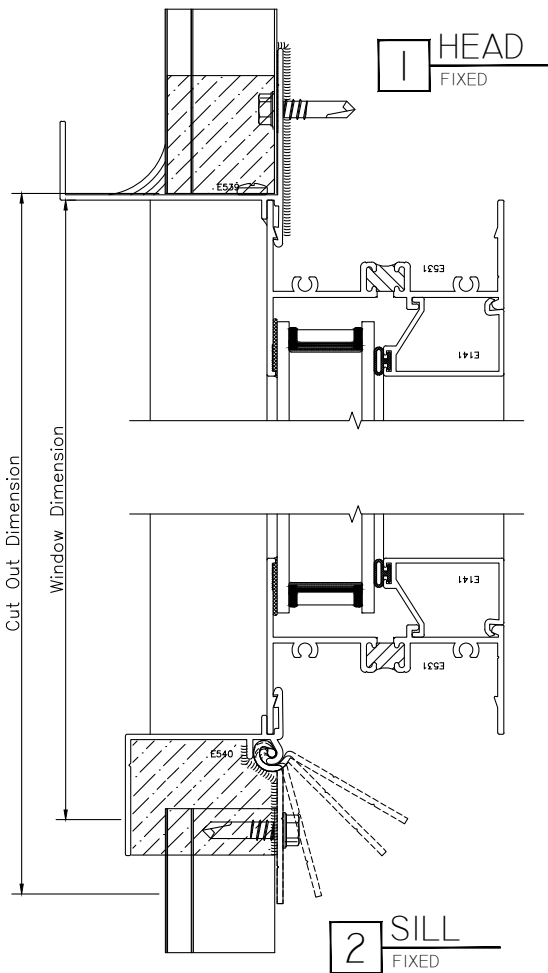
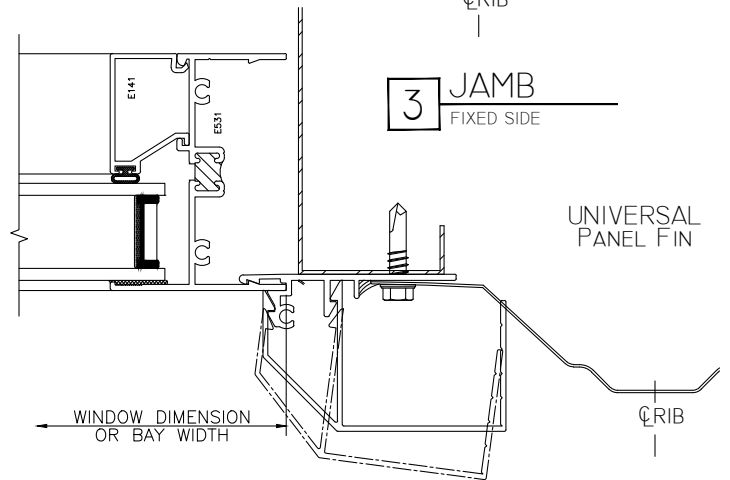
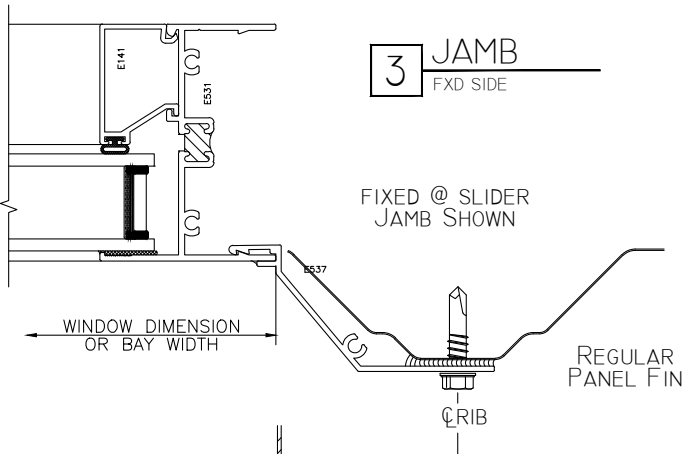
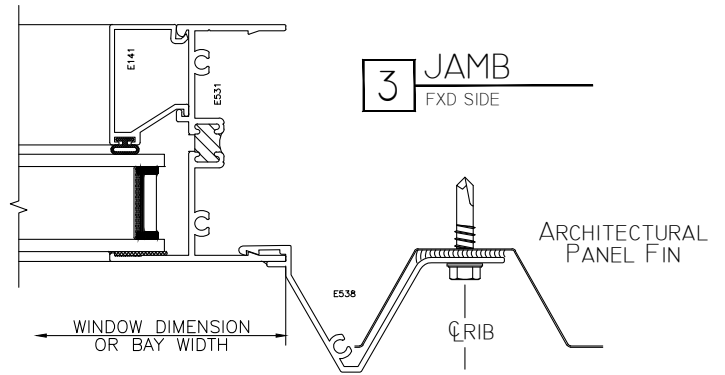
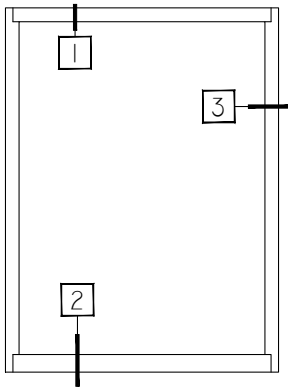
P.O. BOX 480
MONETT, MO 65708-0480

P: 417-235-7821
F: 417-737-7140
www.wintechinc.com



**2500 FIXED PERFORMANCE DATA:
AAMA/WDMA/CSA 101/I.S.2/A440-08**

Rating	CW-PG70 Type F
Air Infiltration	<0.01 cfm/ft @ 6.24 psf
Water Resistance	0 Leakage at 15 lb/sf
Structural Performance	105.0 psf
Thermally Broken	Yes
Frame Depth	2-1/2"
Infill Options	Maximum 1"



©2013 WINDOW TECHNOLOGY INC. ALL RIGHTS RESERVED

WINTech

Window Technology, Inc.
201 Industrial Drive
Monett, MO 65708

DRAWN: Messer	SCALE: NTS	
TITLE 2500 FIXED Details		NO. 2500-03